

GYFNS-300W Foot Stay (Two Angle Lock)

Swing door opening

Opening Direction	Description	Lock Release Part
<p>Swing Door</p>	Two-angle Lock	Body (Lifting with Foot)



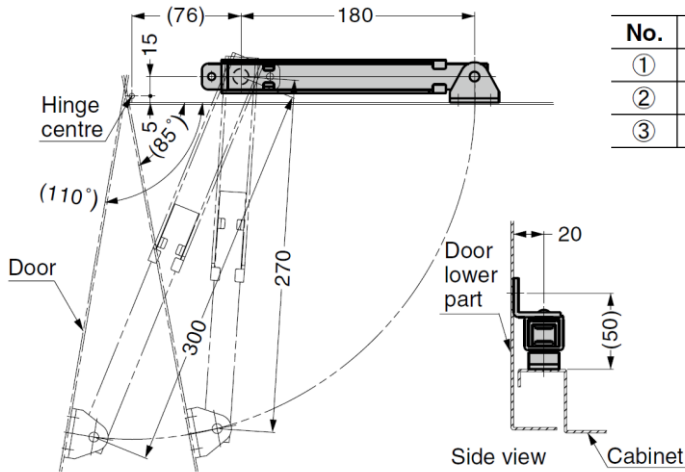
Features

- Locks the door at two angles: 85° and 110° (fully opened)
- Simply lift the stay with foot toe to release the lock
- Non-handed: Can be installed on left or right side
- Designed for bottom mount. (vertical use not allowed)

Notes

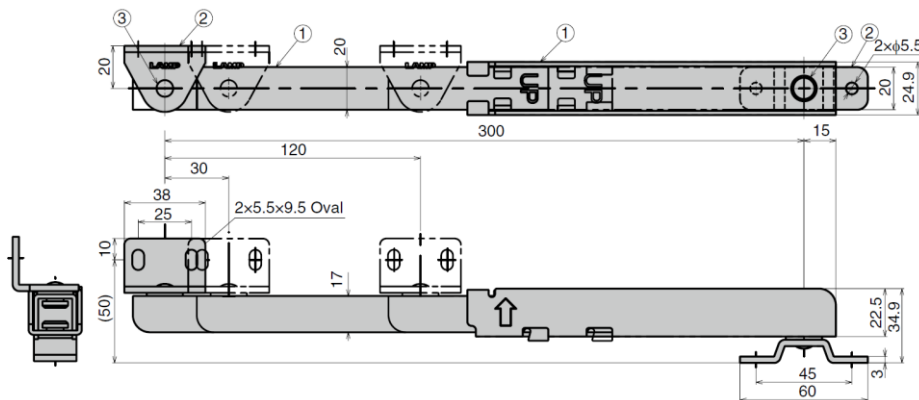
- Release the lock while supporting the door
- Do not step on the stay
- Open or close the door slowly. Quick opening operation may not lock the door
- Opening angle and installation position change depending on the position of hinge.

Installation



No.	Part Name	Material	Finish
①	Body	Stainless Steel (SUS304)	Barrel
②	Bracket		Polished
③	Shaft	Stainless Steel	-

- Drawing above shows the state where the stay is installed to the door bottom, seeing the door from above.



Part No.
GYFNS-300W